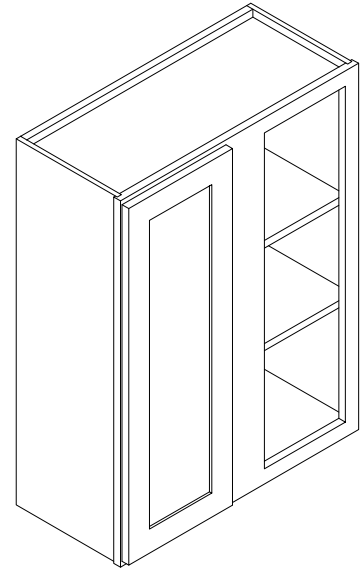




# ASSEMBLY INSTRUCTIONS

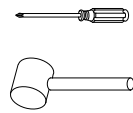
WB2730



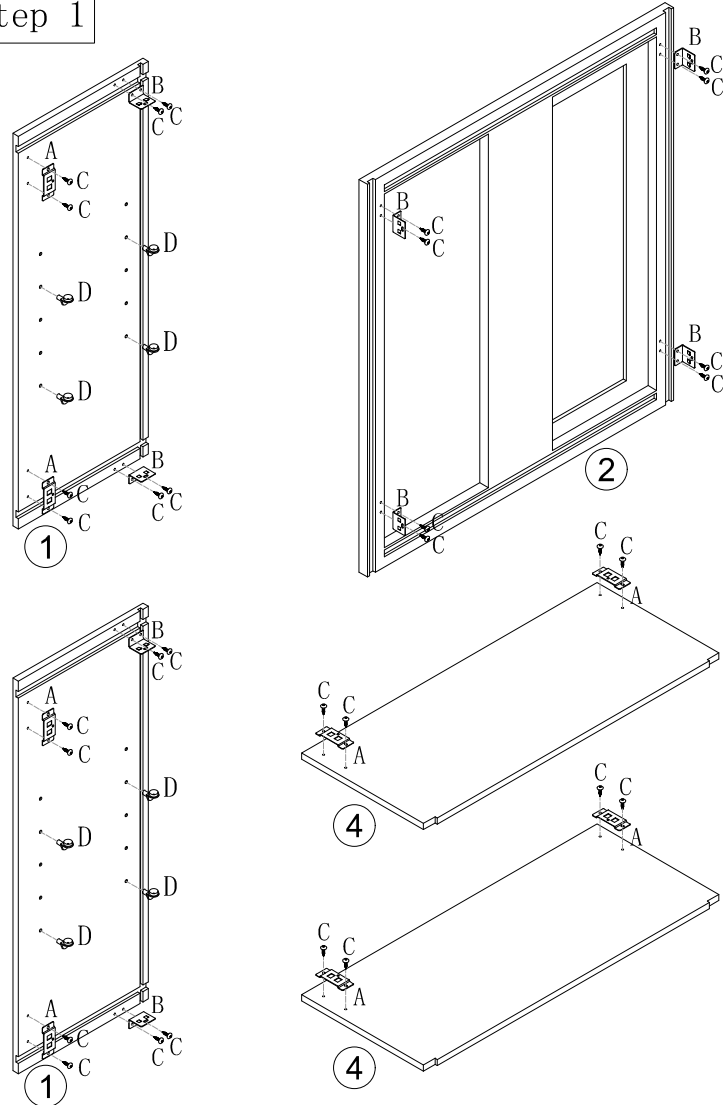
### Parts list

NO.	Parts	QTY
A		8
B		8
C		40
D		8
E		2

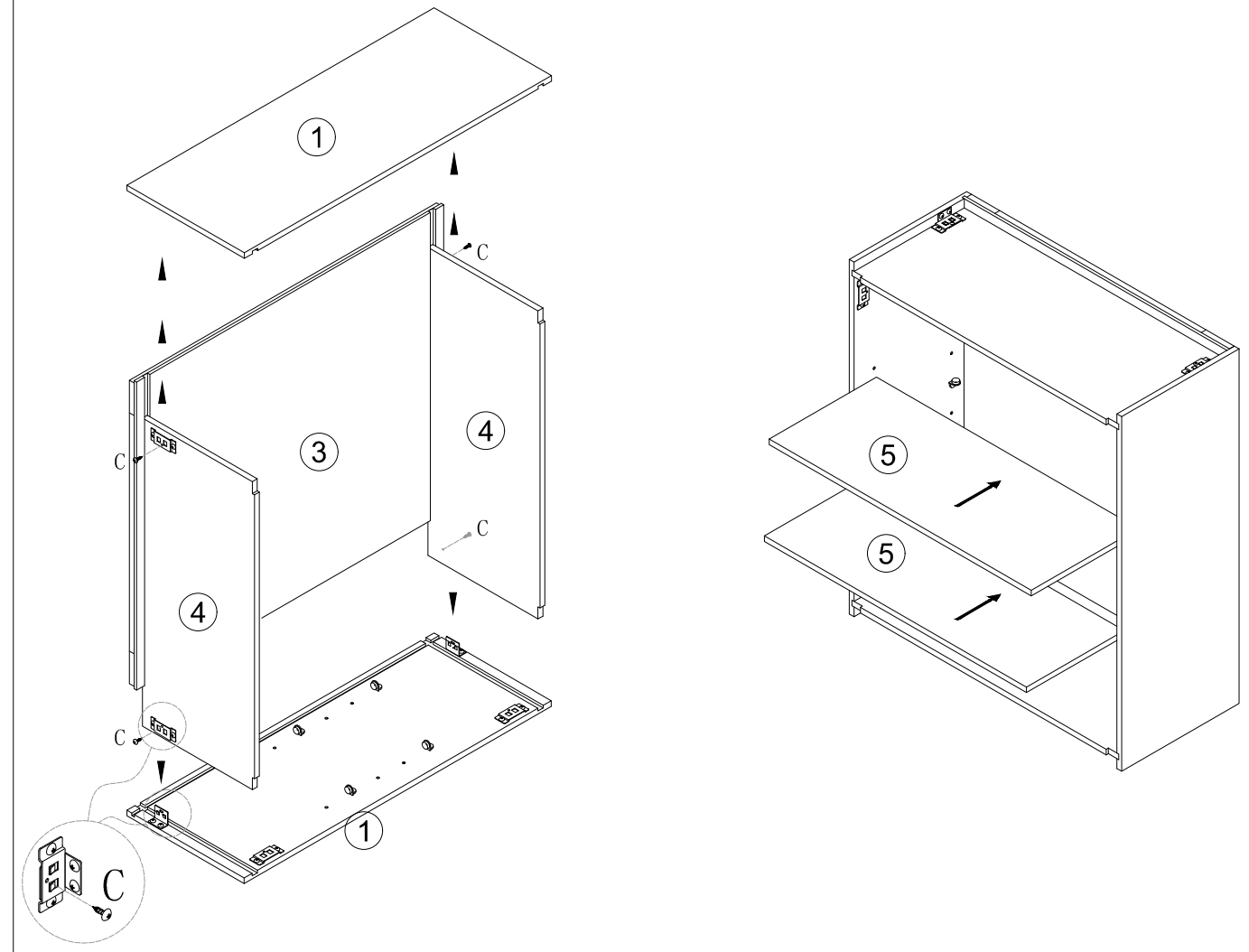
Tools  
(required but not provided)



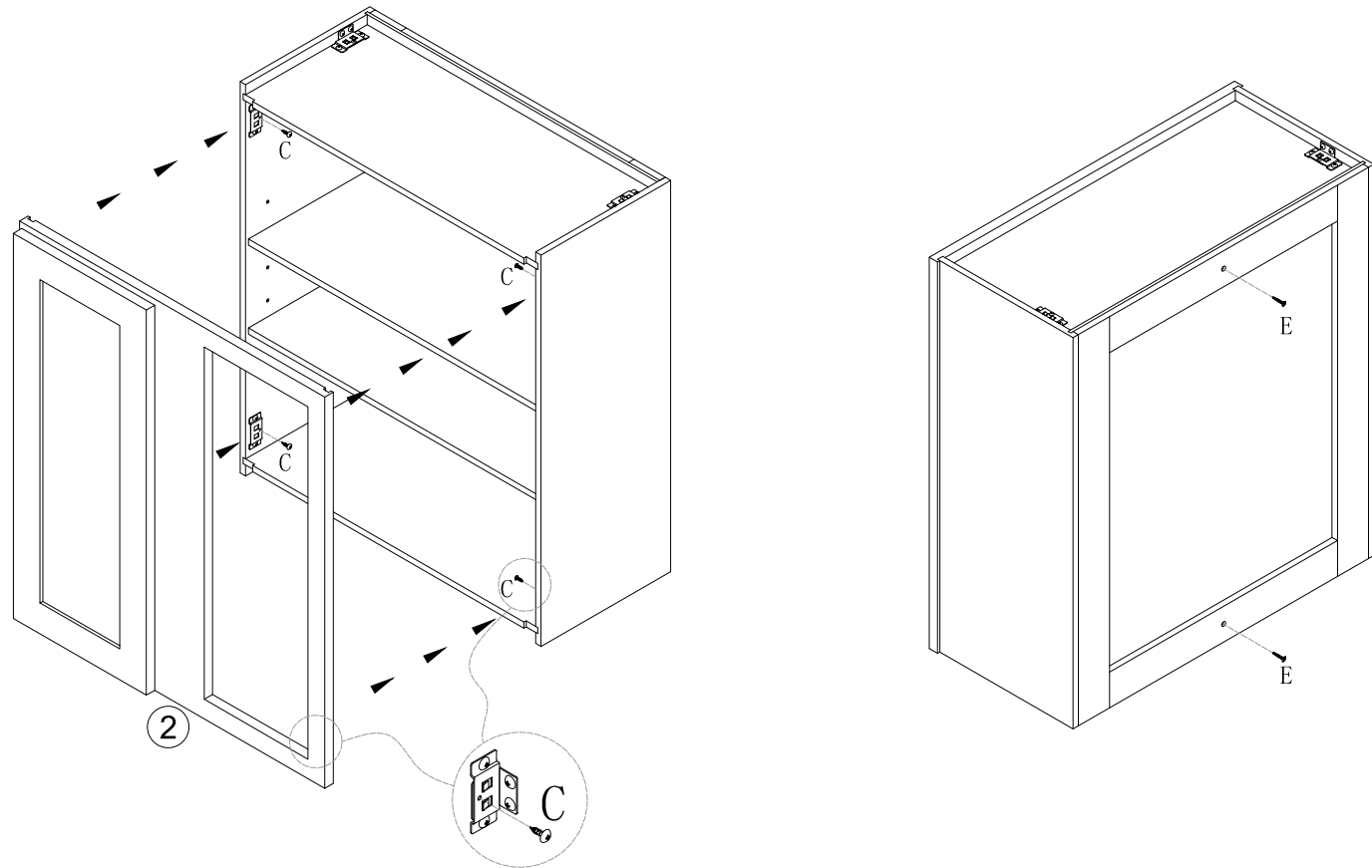
### Step 1



### Step 2



### Step 3



### Finished

